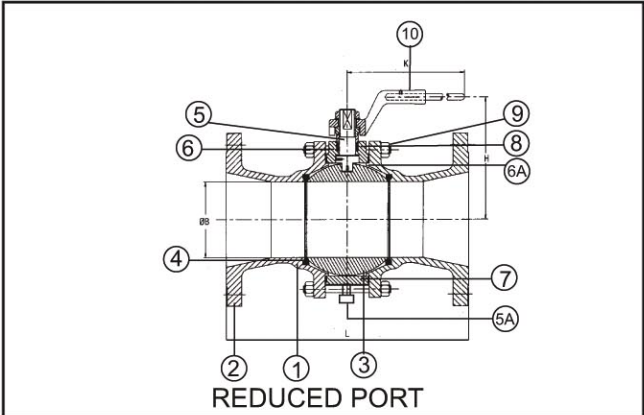
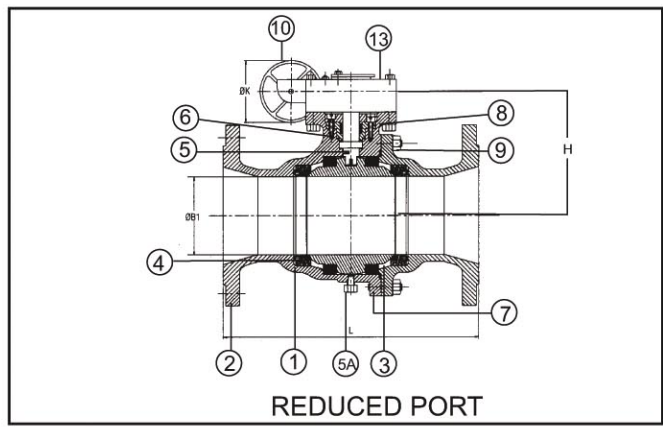
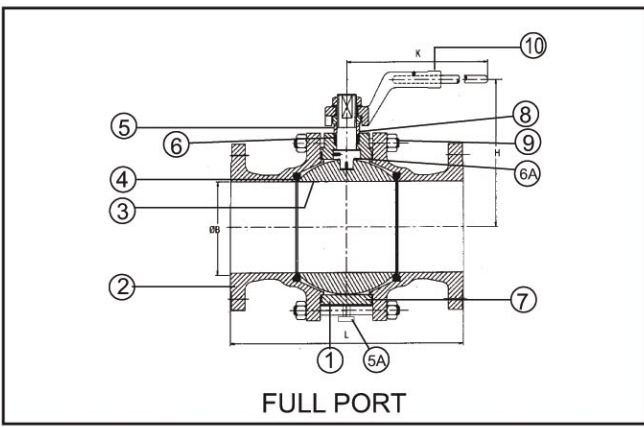




BALL VALVES



FEATURES

- Design : API 6D / API 608 / BS 5351
- Face to Face : ASME B 16.10 / API 6D
- Flanges : ASME B 16.5
- Butt welding : ASME B 16.25
- Testing : API 598 / API 6FA / API 607/ BS 6755 PART I & II
- Trims : Varieties of combinations

Bolted gland and actuator mounting flange - ISO5211
 Antistatic and anti blow-out stem.
 Hollow Ball for sizes ≥ 25 mm.

- Optional :
- : Single acting / Double acting air actuator
 - : Quarter Turn motor actuator
 - : Gear Drive
 - : Position Indicator
 - : Limit Switch
 - : Solid Ball

MATERIALS OF CONSTRUCTION

No.	DESCRIPTION	WCB	C5	LCB	CF8M
01	BODY (a)	A 216 Gr. WCB	A 217 Gr. C5	A 352 Gr. LCB	A 351 Gr. CF8M
02	ADAPTOR (a)	A 216 Gr. WCB	A 217 Gr. C5	A 352 Gr. LCB	A 351 Gr. CF8M
03	BALL (b)	A 351 Gr. CF 8M A 217 Gr. CA15	A 351 Gr. CF 8M A 217 Gr. CA15	A 351 Gr. CF8M	A 351 Gr. CF8M
04	SEAT RING (b)	PTFE / GFT	PTFE / GFT	PTFE / GFT	PTFE / GFT
05	STEM (b)	A 276 TP 304 / 410	A 276 TP 304 / 410	A 276 TP 304	A 276 TP 316
05A	TRUNION SHAFT	A 276 TP 304 / 410	A 276 TP 304 / 410	A 276 TP 304	A 276 TP 316
06	GLAND PACKING (b)	PTFE / GRAPHOIL	PTFE / GRAPHOIL	PTFE / GRAPHOIL	PTFE / GRAPHOIL
06A	THRUST WASHER (b)	PTFE / GRAPHOIL	PTFE / GRAPHOIL	PTFE / GRAPHOIL	PTFE / GRAPHOIL
07	GASKET (b)	PTFE / SW SS SS304	PTFE / SW SS SS304	PTFE / SW SS SS304	PTFE / SW SS SS316
08	GLAND BUSH / GLAND				
09	JOINT STUDS & NUTS (b)	A 193 Gr B7 & A 194 Gr. 2H	A 193 Gr B7 & A 194 Gr. 2H	A 320 Gr L7 & A 194 Gr. 4	A 193 Gr B7 & A 194 Gr. 2H
10	HANDLE	CARBON STEEL + PVC GRIP	CARBON STEEL + PVC GRIP	CARBON STEEL + PVC GRIP	CARBON STEEL + PVC GRIP
13	GEAR BOX	STANDARD C.I. BODY	STANDARD C.I. BODY	STANDARD C.I. BODY	STANDARD C.I. BODY
19	BOTTOM COVER	CARBON STEEL	A 276 TP 304	A 276 TP 304	A 276 TP 316

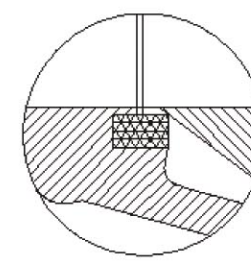
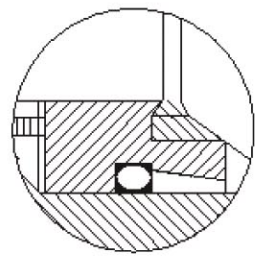
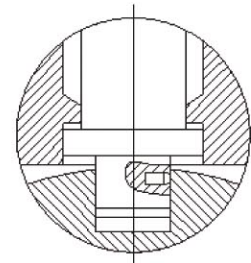
Also Available : 1) a) Body & Bonet in WC6, C12,CF8 b) Alternate Material



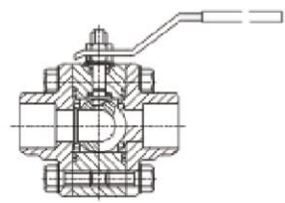
BALL VALVES - FLOATING - TRUNION

DIMENSION

CLASS 150 FLOATING BALL VALVES (FULL BORE)												
SIZE NPS (")	1/2"	3/4"	1"	1 1/2"	2"	2 1/2"	3"	4"	6***	8***	10***	12***
SIZE DN (mm)	15	20	25	40	50	65	80	100	150	200	250	300
A RF mm	108	117	127	165	178	190	203	229	394	457	533	-
H LEVER mm	64	66	69	97	107	116	179	197	248	312	350	-
H GEAR mm	-	-	-	-	-	-	186	204	255	329*	357*	-
L LENGTH mm	160	160	160	200	250	300	350	400	2x350	2x440	2x500	-
Wt.Apprx. kg	2	2.5	3.5	7	11	18	26	31	63	143	24	-
CLASS 150 FLOATING BALL VALVES (REDUCED BORE)												
SIZE NPS (")	1/2"	3/4"	1"	1 1/2"	2"	2 1/2"	3"	4"	6***	8***	10***	12***
A RF mm	108	117	127	165	178	190	203	229	267	292	330	356
H LEVER mm	64	66	69	69	97	107	116	179	197	248	312	350
H GEAR mm	-	-	-	-	-	-	-	186	204	255	329*	357*
L LENGTH mm	160	160	160	160	200	250	300	350	400	2x350	2x440	2x500
Wt.Apprx. kg	2	2.5	3	6	9	15	22	28	47	116	170	260
CLASS 300 FLOATING BALL VALVES (FULL BORE)												
SIZE NPS (")	1/2"	3/4"	1"	1 1/2"	2"	2 1/2"	3"	4"	6"	8"	10"	12"
A RF mm	140	152	165	190	216	241	283	305	403	419	457	-
H LEVER mm	64	66	69	97	107	116	179	197	248	312	350	-
H GEAR mm	-	-	-	-	-	-	186	204	255*	329*	357*	-
L LENGTH mm	160	160	160	200	250	300	350	400	2x350	2x440	2x500	-
Wt.Apprx. kg	3	3.5	5	10	18	26	31	60	112	175	285	-
CLASS 300 FLOATING BALL VALVES (REDUCED BORE)												
SIZE NPS (")	1/2"	3/4"	1"	1 1/2"	2"	2 1/2"	3"	4"	6***	8***	10***	12***
A RF mm	140	152	165	190	216	241	283	305	403	419	457	502
H LEVER mm	64	66	69	69	97	107	116	179	197	248	312	350
H GEAR mm	-	-	-	-	-	-	-	186	204	255*	329*	357*
L LENGTH mm	160	160	160	160	200	250	300	350	400	2x350	2x440	2x500
Wt.Apprx. kg	3	3.5	4	8	14	22	29	46	85	136	188	285
CLASS 600 TRUNION BALL VALVES (FULL BORE)												
SIZE NPS (")	1/2"	3/4"	1"	1 1/2"	2"	2 1/2"	3"	4"	6***	8***	10***	12***
A RF mm	165	190	216	241	292	330	356	432	559	660	787	-
H LEVER mm	64	66	69	97	149	149	179	209	280	312	380	-
H GEAR mm	-	-	-	-	-	-	186	224	297	335	385	-
L LENGTH mm	160	160	160	250	300	350	400	2x350	2x440	2x500	-	-
Wt.Apprx. kg	4.5	5.5	6	16	26	39	96	120	235	425	590	-
CLASS 600 TRUNION BALL VALVES (REDUCED BORE)												
SIZE NPS (")	1/2"	3/4"	1"	1 1/2"	2"	2 1/2"	3"	4"	6***	8***	10***	12***
A RF mm	165	190	216	241	292	330	356	432	559	660	787	838
H LEVER mm	64	66	69	69	97	149	149	179	209	280	312	380
H GEAR mm	-	-	-	-	-	-	-	186	224	297	335	385
L LENGTH mm	160	160	160	200	250	300	350	400	2x350	2x440	2x500	-
Wt.Apprx. kg	4.5	5	6	11	21	33	70	90	185	300	490	612
CLASS 600 TRUNION GEAR OPERATED BALL VALVE												
SIZE NPS (")	-	-	-	-	-	-	-	4"	6***	8***	10***	12***
A RF mm	-	-	-	-	-	-	-	432	559	660	787	838
H FB mm	-	-	-	-	-	-	-	290	360	400	440	-
H RB mm	-	-	-	-	-	-	-	260	290	360	400	440
Wt.Apprx. FB	-	-	-	-	-	-	-	140	280	500	690	-
(Kg.) RB	-	-	-	-	-	-	-	105	216	356	600	720



SEAT RING ARRANGEMENT FLOATING FIRE SAFE BALL VALVE



SCREWED BALL VALVE BLV III SERIES

Note :
 * Geared Recommended
 ** Trunion Recommended
 Face to face : API 6D / ASME B 16.10 - 2000.
 Short Pattern 6" & above, Reduce Bore in 150 lbs.
 Short Pattern 8" & above, Full & Reduce Bore in 300 lbs.
 FB : Full bore.
 RB : Reduce bore.